

Title:

**EXHAUST TAILPIPE JOINT CLAMP  
 INSTALLATION**

Models:

**Applicable Models**

**Introduction** The purpose of this bulletin is to provide additional details regarding the proper installation angle of an exhaust tailpipe joint clamp on applicable Toyota vehicles.

- Applicable Vehicles**
- 2003 – 2005 model year **Corolla** vehicles.
  - 2000 – 2005 model year **ECHO** vehicles.
  - 2004 – 2005 model year **Land Cruiser** vehicles.
  - 2003 – 2005 model year **Matrix** vehicles.
  - 2001 – 2003 model year **Prius** vehicles.
  - 2004 – 2005 model year **Sequoia** vehicles.
  - 2004 – 2005 model year **Scion xA** vehicles.
  - 2004 – 2005 model year **Scion xB** vehicles.
  - 2003 – 2005 model year **Tundra** vehicles.

**Warranty Information**

OP CODE	DESCRIPTION	TIME	OFF	T1	T2
N/A	Not Applicable to Warranty	–	–	–	–



**Installation  
Procedure****All Models:**

Install exhaust tailpipe assembly.

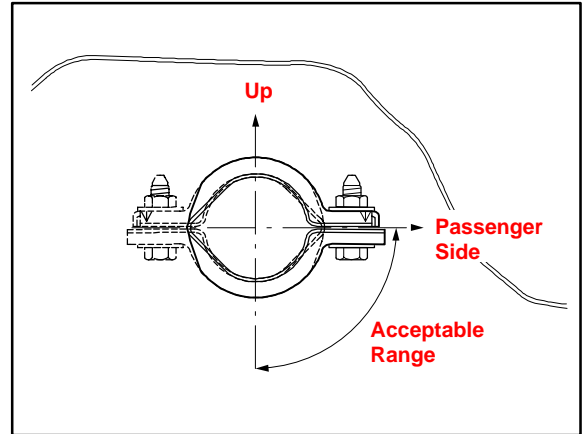
1. Install a new gasket into the exhaust center pipe.
2. Install the new clamp positioning the bolt within the “acceptable range” shown in the corresponding illustrations.

**NOTE:**

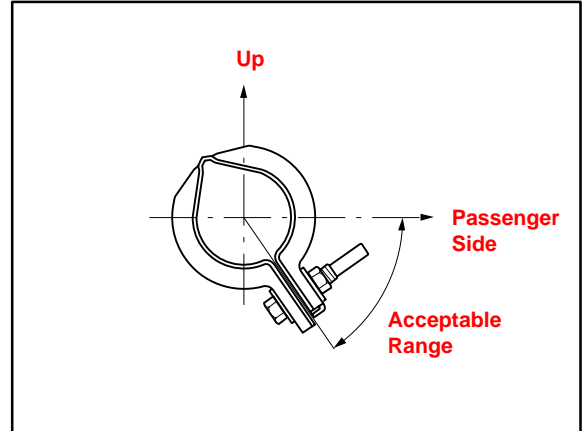
Do not reuse the removed gasket and clamp.

**2003 – 2005 Corolla:**

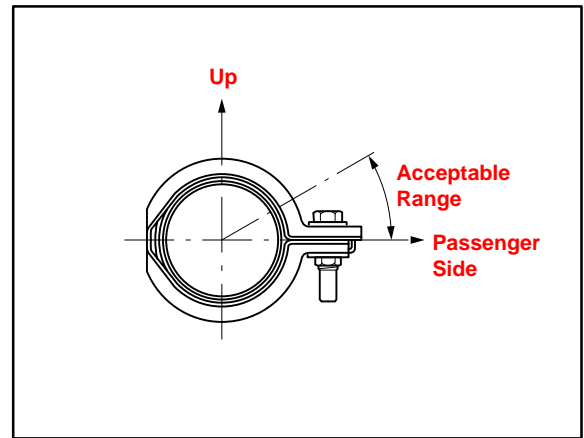
Torque: 32 N•m (326 kgf•cm, 24 ft•lbf)

**2000 – 2005 ECHO,  
2004 – 2005 Scion xA & xB:**

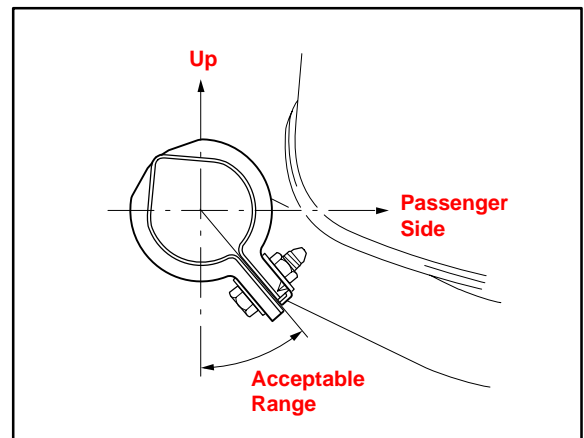
Torque: 32 N•m (326 kgf•cm, 24 ft•lbf)



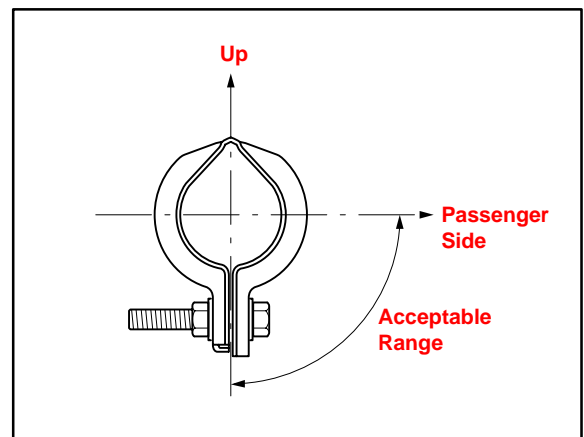
**Installation Procedure**    **2004 – 2005 Land Cruiser:**  
(Continued)                      **Torque: 35 N•m (357 kgf•cm, 26 ft•lbf)**



**2003 – 2005 Matrix:**  
**Torque: 32 N•m (326 kgf•cm, 24 ft•lbf)**



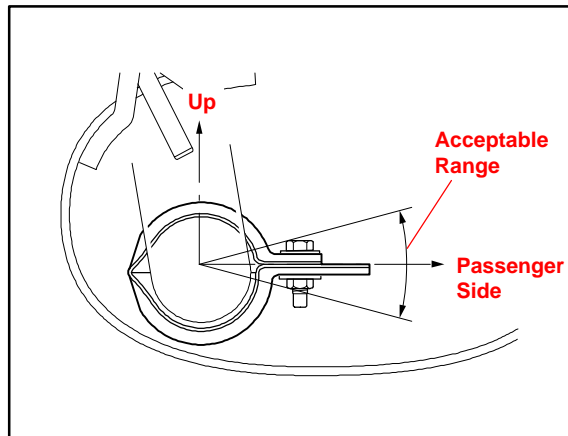
**2001 – 2003 Prius:**  
**Torque: 32 N•m (326 kgf•cm, 24 ft•lbf)**



**Installation  
Procedure**  
(Continued)

**2004 – 2005 Sequoia:**

**Torque: 32 N•m (326 kgf•cm, 24 ft•lbf)**



**2003 – 2005 Tundra:**

**Torque: 32 N•m (326 kgf•cm, 24 ft•lbf)**

